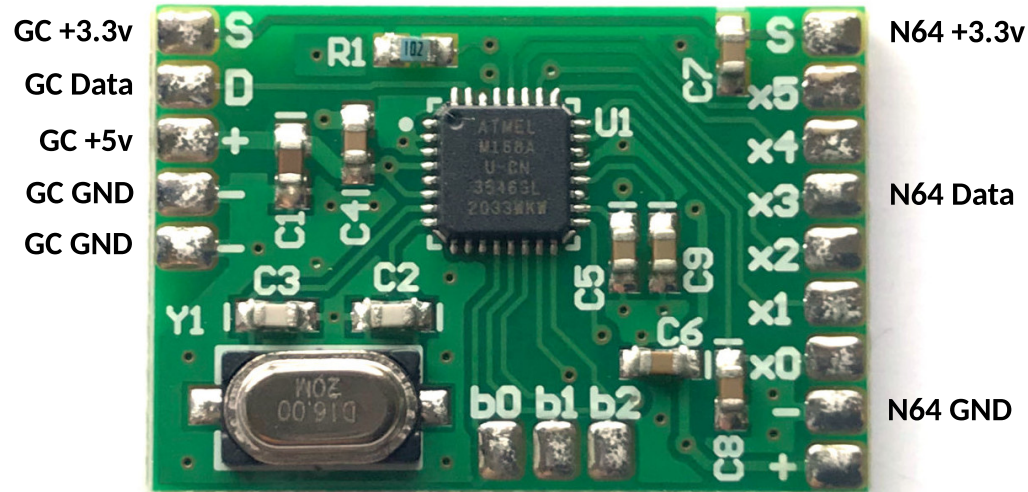
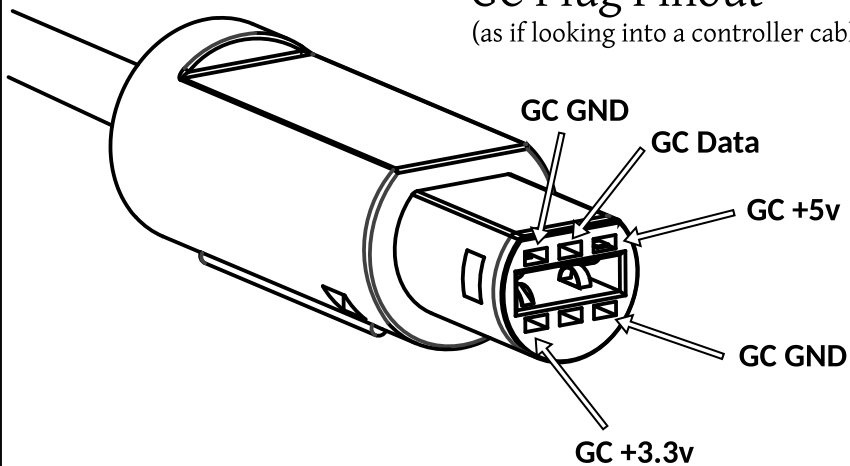


# N64 controller to GC/Wii circuit - Wiring

p/n: BRD-N64-GCWII\_v2



GC Plug Pinout  
(as if looking into a controller cable)



N64 Socket Pinout  
(as seen on the front of the console)

