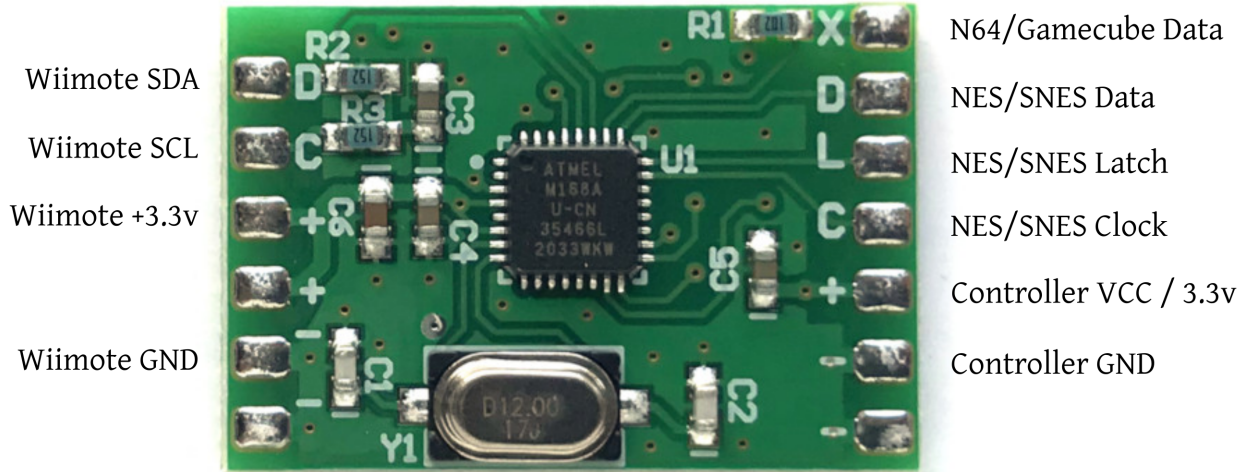
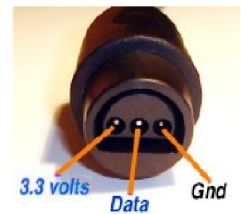


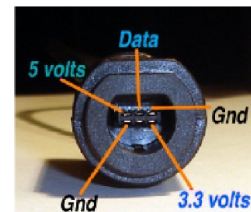
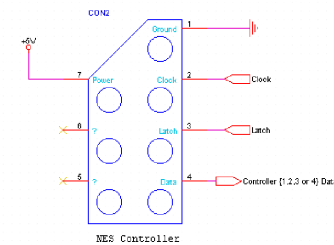
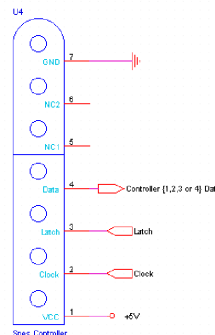
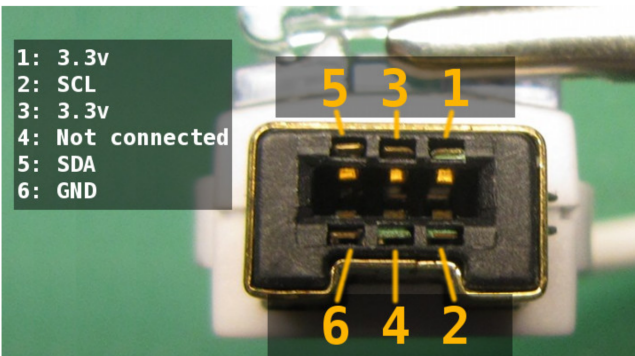
# NES/SNES/N64/Gamecube controller to Wiimote circuit, Wiring reference



Power:  
 - NES and SNES controllers are used at 3.3v.  
 - Do not connect the gamecube 5v wire.



N64 socket pinout (or looking into console)



Gamecube socket pinout (or looking into the console)